

Barrel Stave Chair Kit - Addendum

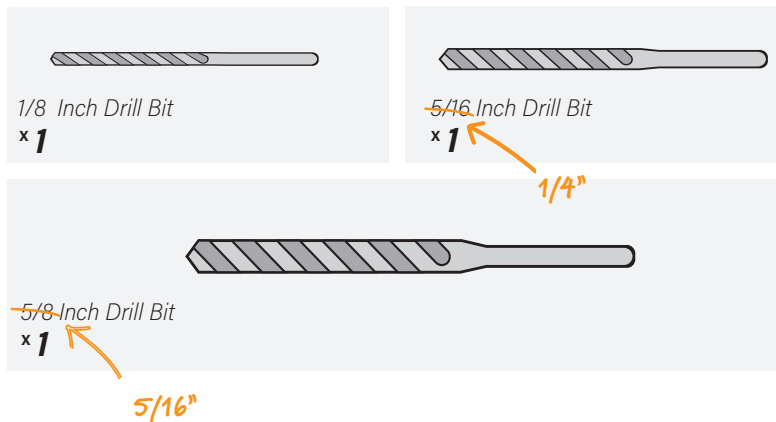
READ BEFORE ASSEMBLY

1

VERSION ISSUES:

The booklet mistakenly calls out the wrong size drill bits in this kit. Where the book specifies a 5/16" drill bit, you should actually be using a 1/4" drill bit.

Likewise, where it calls out a 5/8" drill bit, you should be using a 5/16" drill bit.



1

VERSION ISSUES:

The booklet mistakenly calls out the wrong size drill bits in this kit. Where the book specifies a 5/16" drill bit, you should actually be using a 1/4" drill bit.

Likewise, where it calls out a 5/8" drill bit, you should be using a 5/16" drill bit.

