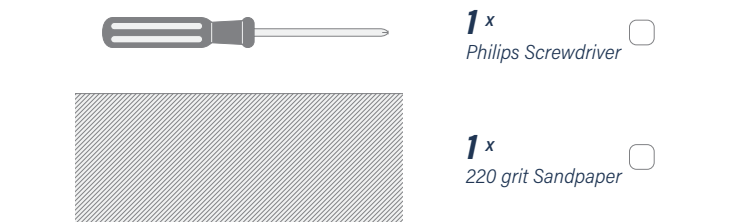


Material Checklist

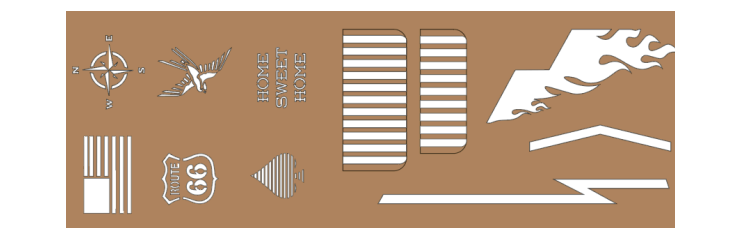
Hardware



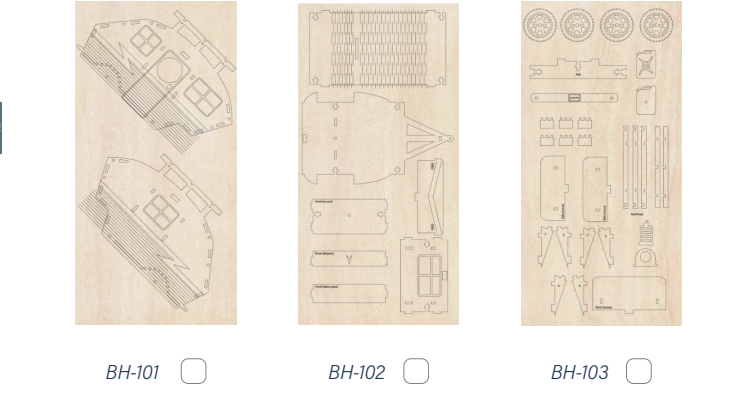
Tools



Art Supplies



Wood



BH-101 BH-102 BH-103

Component Information:

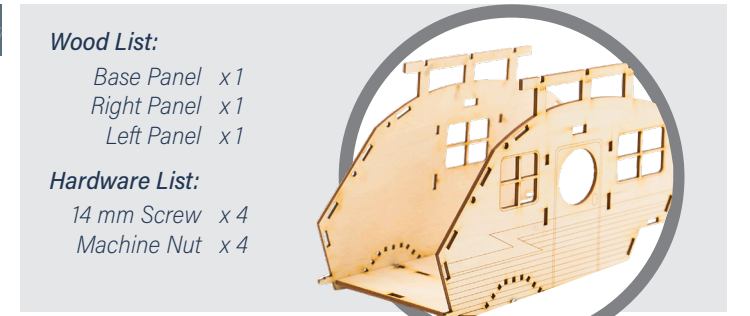
The Hardware:
We've included all the screws and nuts you'll need to build the birdhouse.

The Wood:
Your birdhouse is cut from 3-ply, veneered plywood. It's been laser-cut to extreme precision to ensure each piece fits together perfectly.

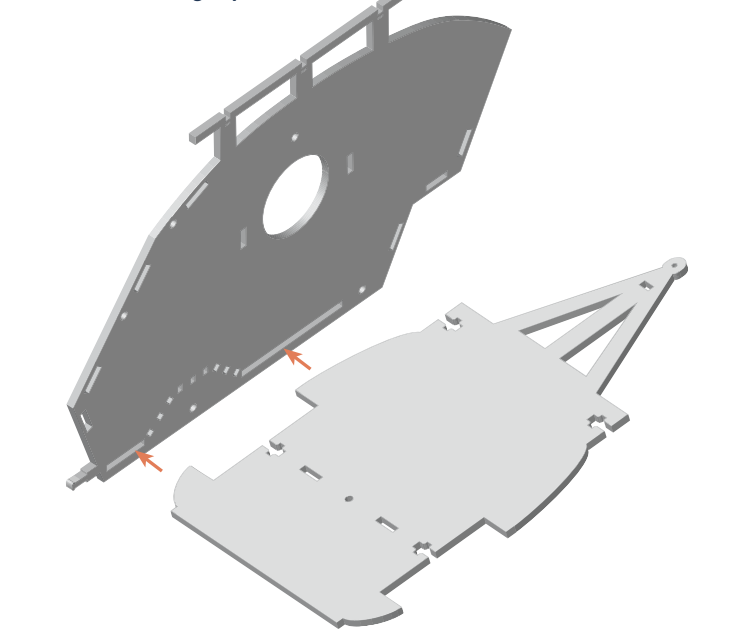
The Art Supplies:
We've included a set of brushes, paint, and a stencil so you can decorate your birdhouse to your exact specifications. Or, get your Jackson Pollack on and just go nuts.

- You May Also Need:**
- Some string or twine to hang the birdhouse from a tree.
 - A bit of tape to hold the stencil in place.

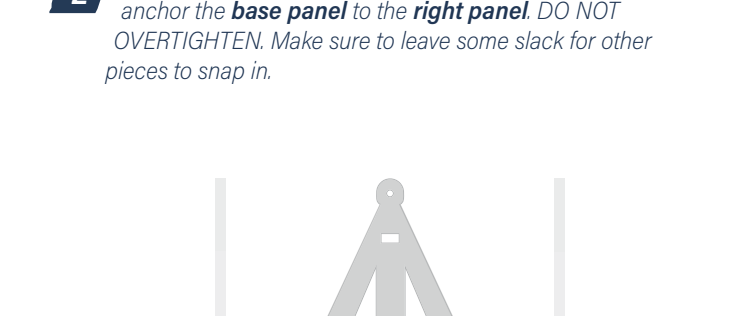
Step 1: Base



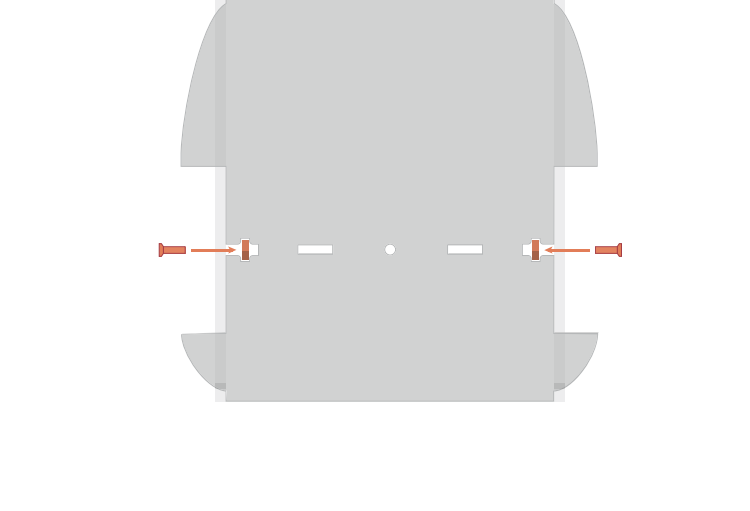
1 Slide the flared inserts of the **base panel** through the long slots on the **right panel**.



Step 2: Rear Panels

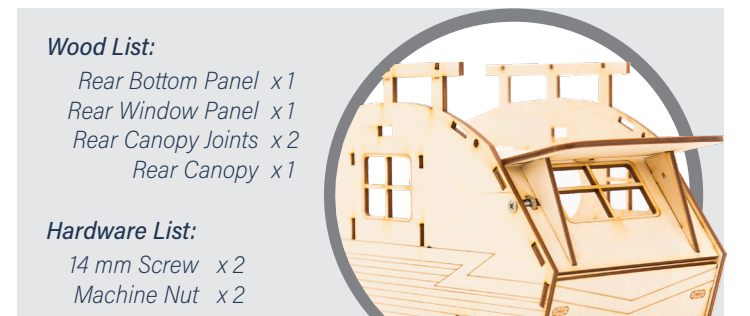


2 Insert a **nut** into the cut pocket, and then use a **screw** to anchor the **base panel** to the **right panel**. DO NOT OVERTIGHTEN. Make sure to leave some slack for other pieces to snap in.

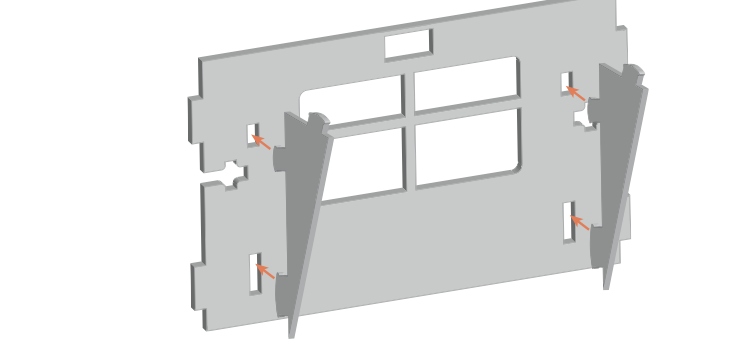


3 Repeat steps 1 and 2 to attach the **left panel** to the base panel as well.

Step 3: Axle



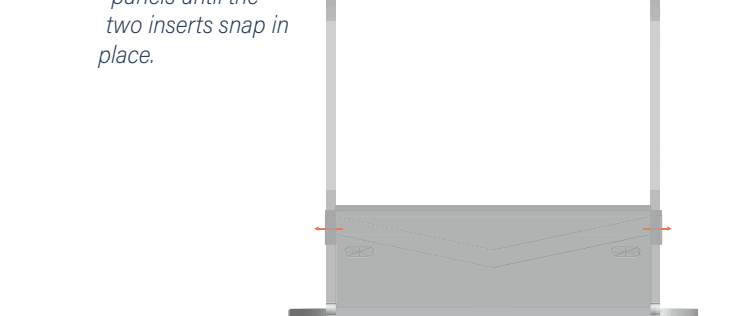
1 Snap the **rear canopy joints** into the **rear window panel**.



2 Once they're secure, insert the **rear canopy** into the slot of the rear window panel, then snap on the two canopy joints.



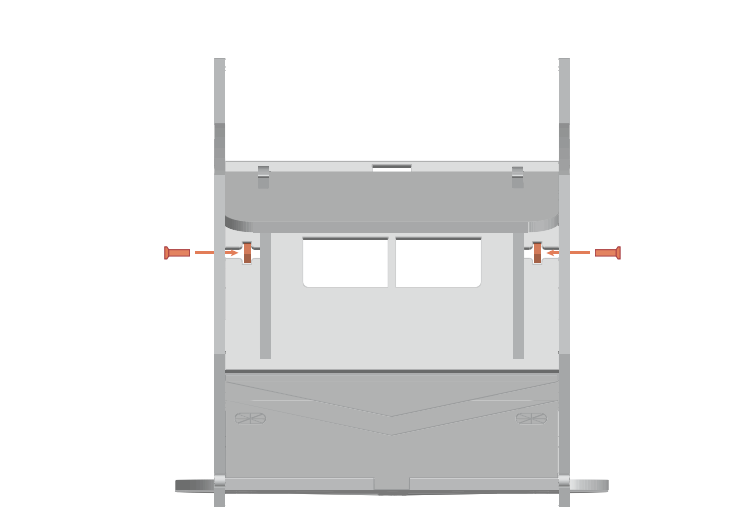
Step 4: Roof



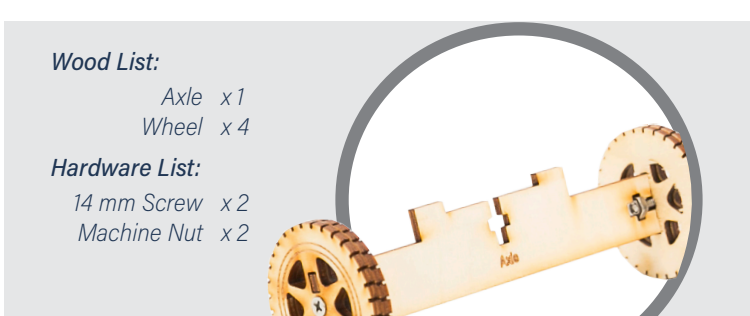
1 Slide the rear **bottom panel** down the side panels until the two inserts snap in place.

Pro-Tip: If you're having a hard time sliding the pieces in place, try loosening the screws a bit to give the pieces some slack. You'll tighten everything up later.

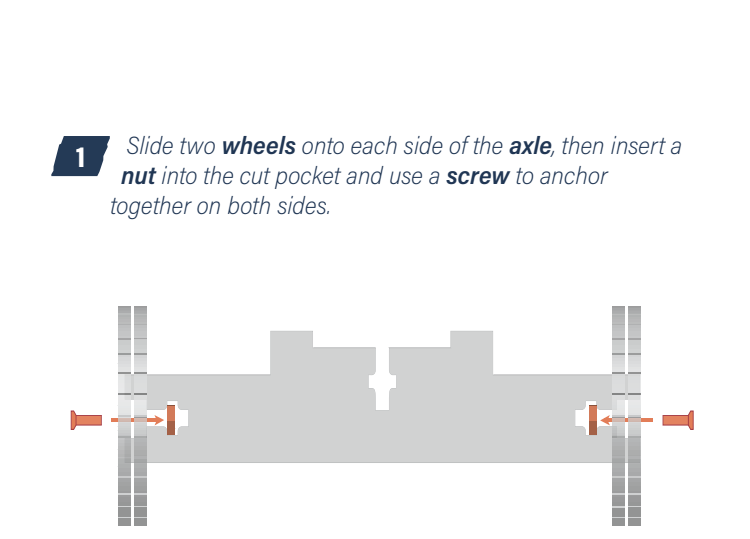
4 Slide the rear window panel along the edge of the side panels, then insert a nut into the cut pocket and use a screw to anchor them together on both sides.



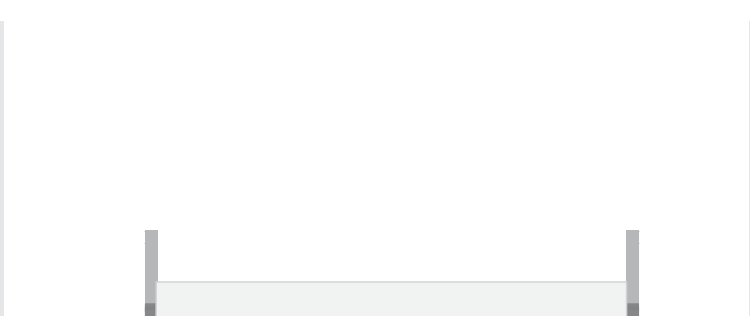
Step 5: Axle



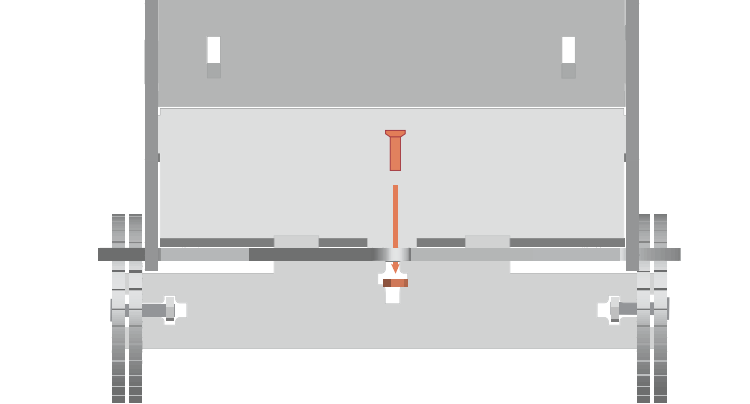
1 Slide two **wheels** onto each side of the **axle**, then insert a **nut** into the cut pocket and use a **screw** to anchor together on both sides.



Step 6: Axle



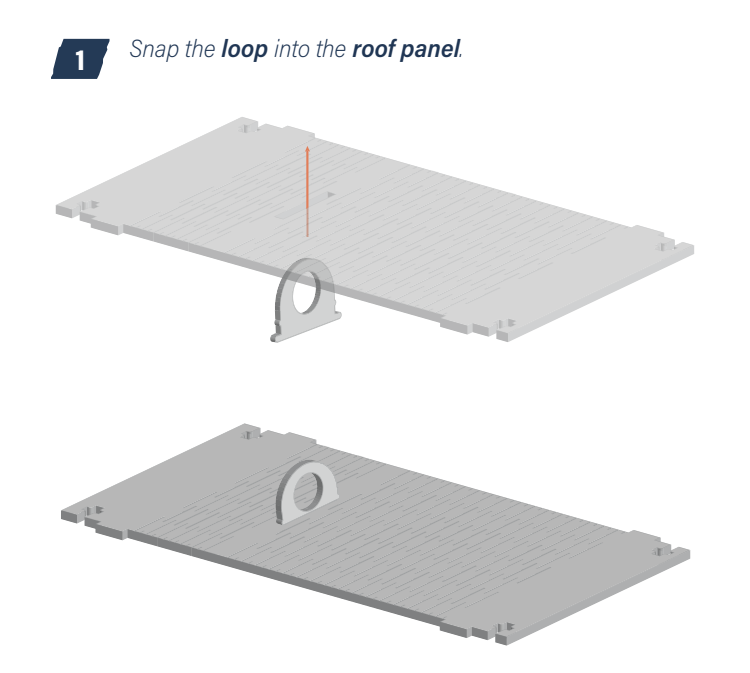
2 Insert the **axle** under the bottom of the floor panel, then insert a **nut** into the cut pocket and use a **screw** to anchor together.



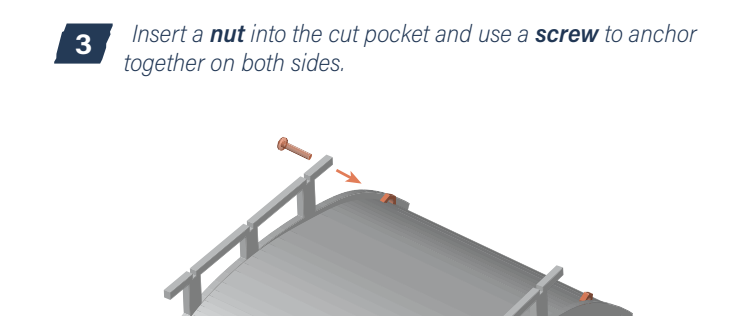
Step 7: Roof



1 Snap the **loop** into the **roof panel**.



Step 8: Roof

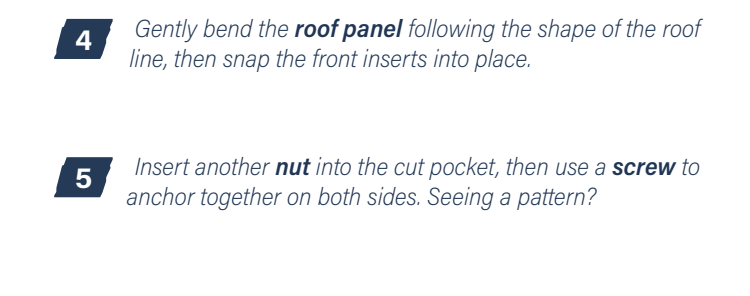


2 Slide the **roof panel** along the top of the side panels and snap the rear inserts into place.

3 Insert a **nut** into the cut pocket and use a **screw** to anchor together on both sides.

4 Gently bend the **roof panel** following the shape of the roof line, then snap the front inserts into place.

5 Insert another **nut** into the cut pocket, then use a **screw** to anchor together on both sides. Seeing a pattern?



Birdhouse Making Kit

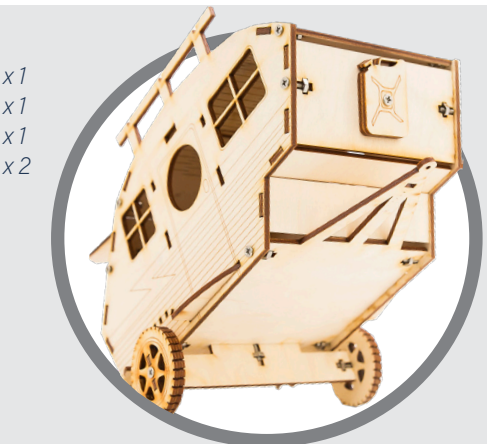
LASER-CUT WOOD BIRDHOUSE KIT



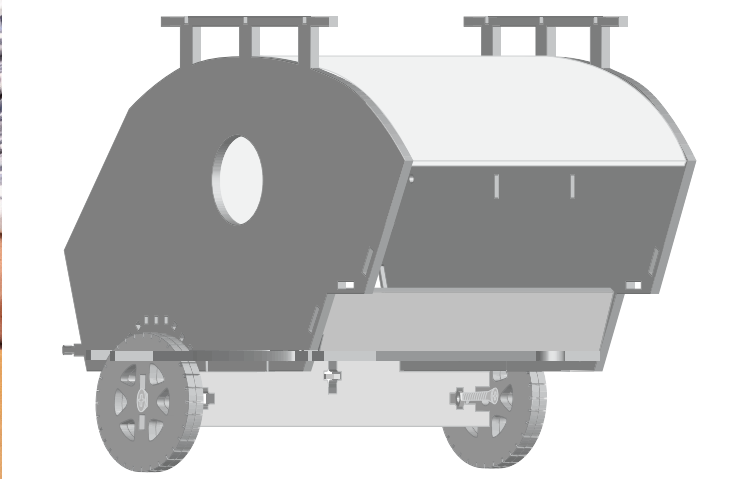
Step 5: Front Panels

- Wood List:**
Front Bottom Panel x1
Front Mid Panel x1
Front Top Panel x1
Jerry Can x2

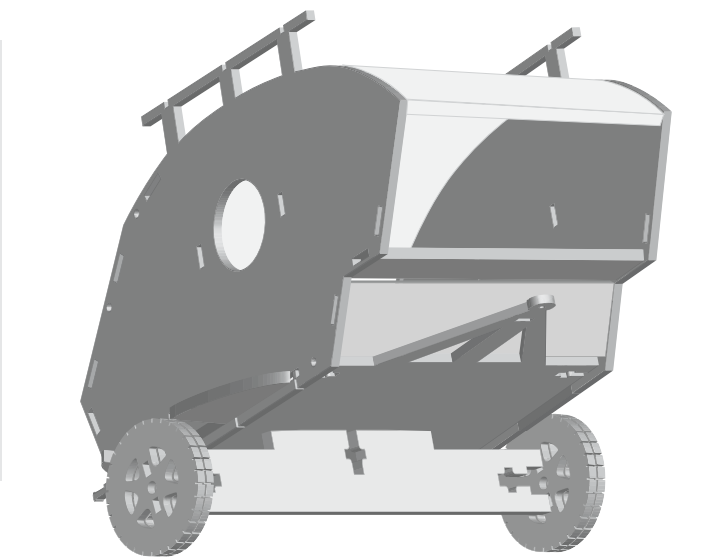
- Hardware List:**
14 mm Screw x3
Machine Nut x3



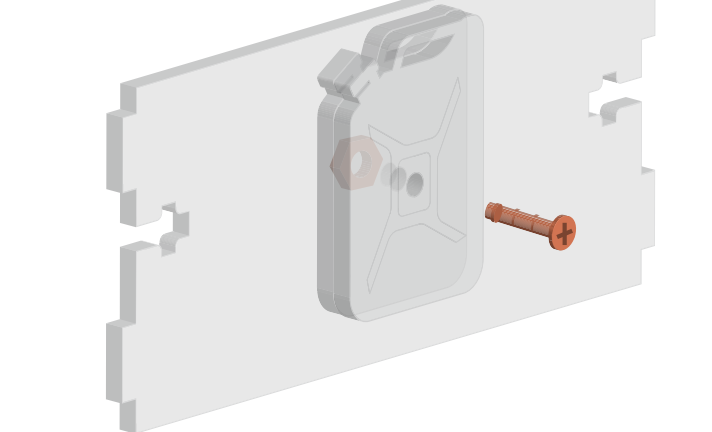
1 Fasten onto the **front bottom panel**, then snap the inserts into the appropriate slots. The side with text should face outwards.



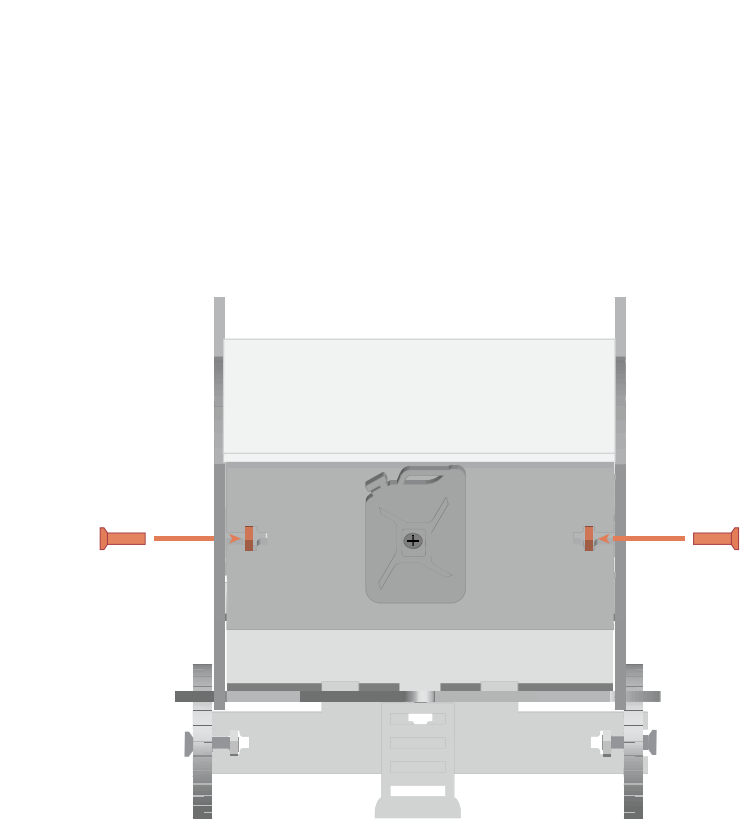
2 Slide on the **front mid panel** and snap the inserts into the appropriate slots.



3 Stack the two **jerry cans** together with the marked side facing outwards. Use a screw and nut to fasten on the front top panel.



4 Slide on the **front top panel**, then snap the inserts into the appropriate slots. Insert a nut into the cut pocket and use a screw to anchor together on both sides.



Step 6: Accessories

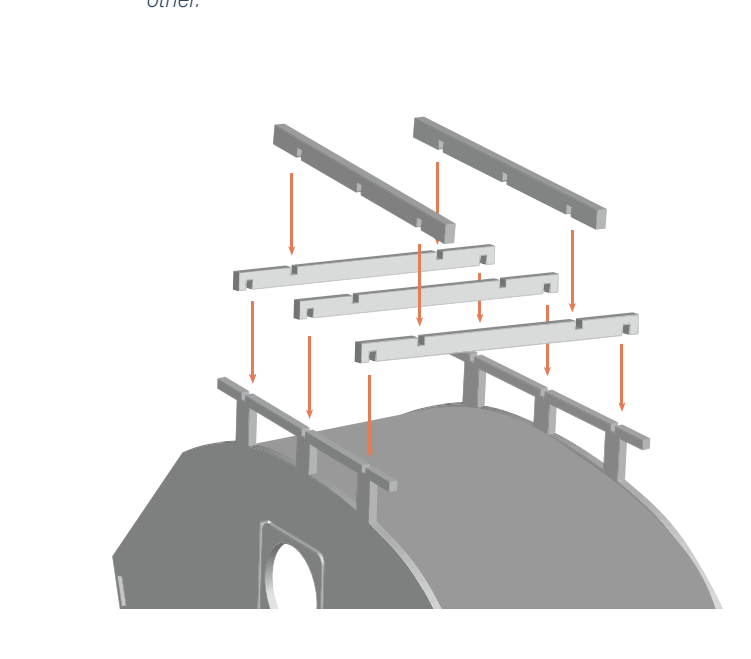
- Wood List:**
Side Canopy x2
Side Canopy Joints x4
Rear Canopy x1
Rear Canopy Joints x2
Wheels Arches x6
RV Hoist x1
Roof Rack x3
Bumper x2



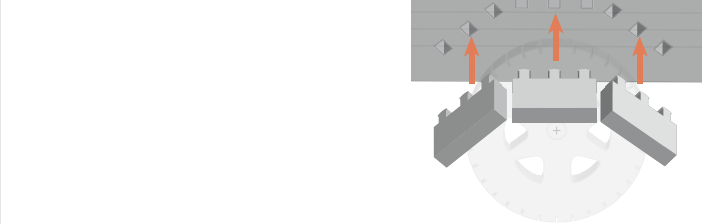
1 Snap the **side canopy joints** labeled S onto the side panels. THE S MARKS SHOULD BE FACING EACH OTHER. Insert the **side canopy** at an angle, then snap onto the canopy joints.

2 Insert the **side canopy** at an angle, then snap onto the canopy joints.

3 Repeat for the other side.

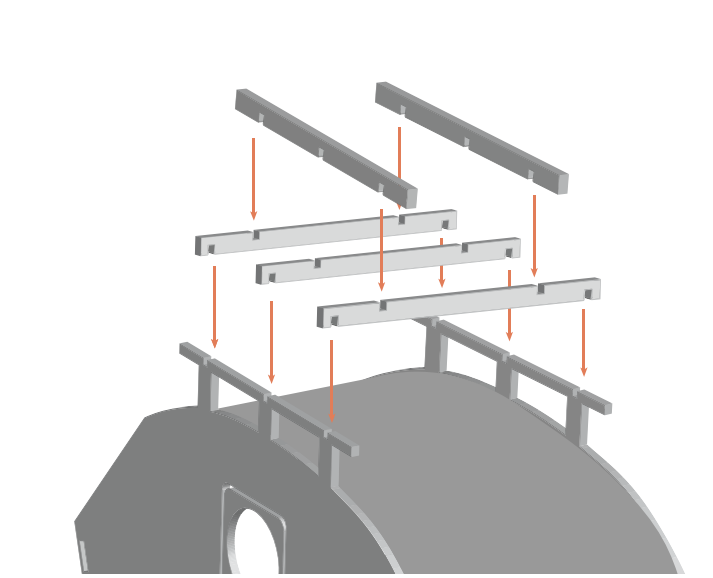


4 Snap the **wheel arches** into the appropriate slots above the wheels. Apply pressure evenly to avoid damaging the inserts.

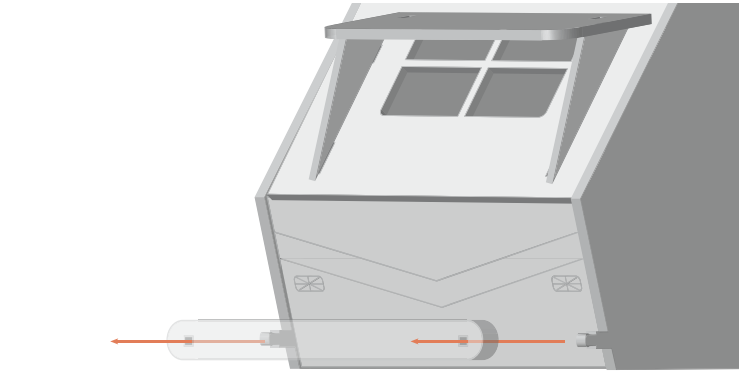


5 Repeat for the other side.

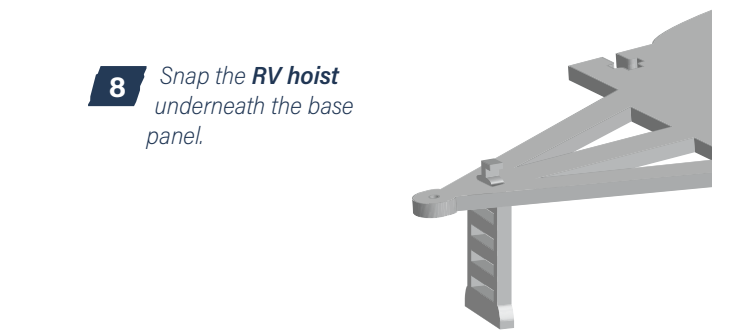
6 Attach the **roof rack** by slipping the two notches into each other.



7 Snap the **rear bumper** onto the two rear bumper joints.



8 Snap the **RV hoist** underneath the base panel.



9 Tie a piece of string or twine around the loop and hang from your favorite tree. Now it's the bird's favorite tree, too.

Decorating

- Art Materials**
Paint Brush x3
Acrylic Paint x1
Stencil x1



1 We've included a set of acrylic paints that is safe and non-toxic. Use it to decorate the birdhouse however you'd like. If you need suggestions, we've included a stencil full of fun graphics to get you started.



2 Cut out the stencil of your choice, and be sure to leave room around the outside to tape it down. Then, tape the edges so it's flush on the surface.

Pro-Tip: Since acrylic paint is water-based, you can thin it out to lighten the shade or play with textures. Birds love textures.



Showcase your creation at [facebook.com/mancrates](https://www.facebook.com/mancrates), or find us on Instagram @mancrates

Find more Man Crates Project Kits and gifts at www.mancrates.com

