

# Watch Making Kit - Addendum

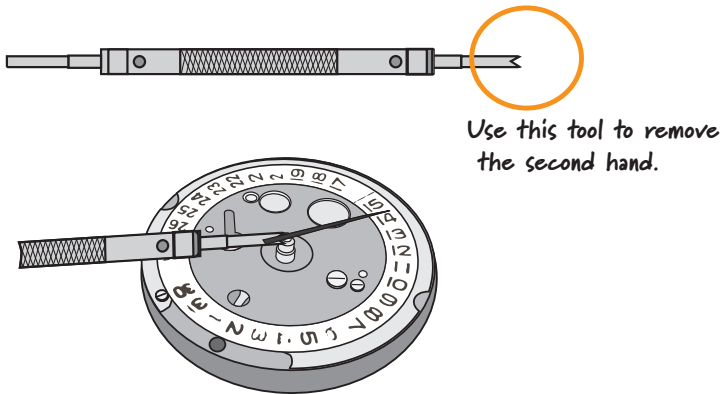
## READ BEFORE ASSEMBLY

### VERSION ISSUES:

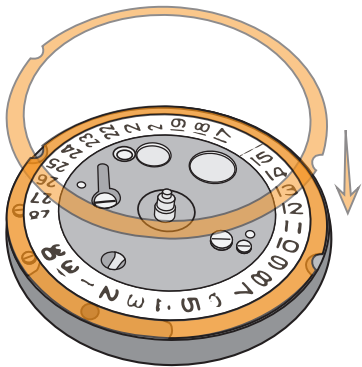
- 1 The watch movement comes with a temporary second hand attached to the movement. This is for quality testing so you can ensure the movement works before proceeding. In order to assemble the watch, you will need to remove this.

**Removing the second hand**- Use the back end of the screwdriver tool (the springbar tool) to remove the temporary second hand. Hold the movement in place with one hand and pull directly perpendicular with the springbar tool.

*Be careful not to pull at an angle. This can break the second hand stem, making it unable to attach the second hand later.*



- 2 **Watch Face Washer** - The metal washer that sits between the watch face and the movement. It is packed inside on the watch case. Place as shown before mounting the watch face.



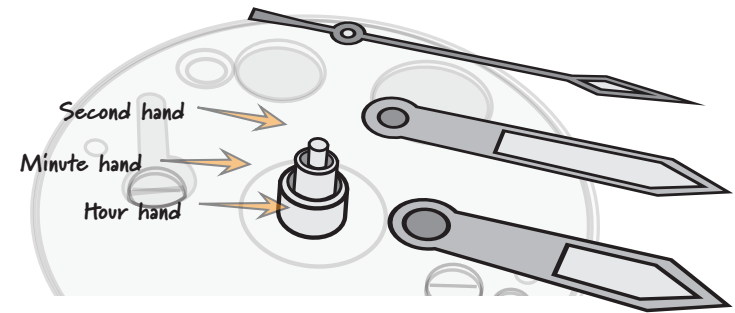
### Attaching the Second Hand

The second hand is the most difficult and risky part of the entire assembly. Many users have a issues with this step because of how fine the parts are.

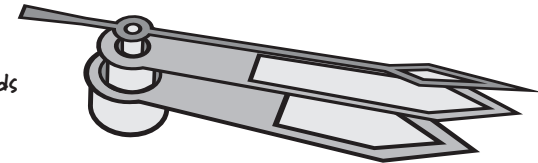
If this proves too difficult, **this step is optional**, as your watch will function just fine without the second hand attached at all. Simply forego using the second hand and proceed with assembly.

#### TIPS:

- 1 Use the included jeweler's lens to get a closer look at what you're doing. Make sure each hand is seated on the right tire before pressing in place.
- 2 Don't press too hard when seating. If you're not sure it's attached all the way, give the crown a spin and see if the hands turn correctly.



Correctly seated hands



- 3 It's possible to break the second hand stem during the process. Use the jeweler's lense to examine and see if the stem is broken or too short to be used. If this happens, don't despair. Proceed without the second hand and finish the watch.



Broken second hand stem