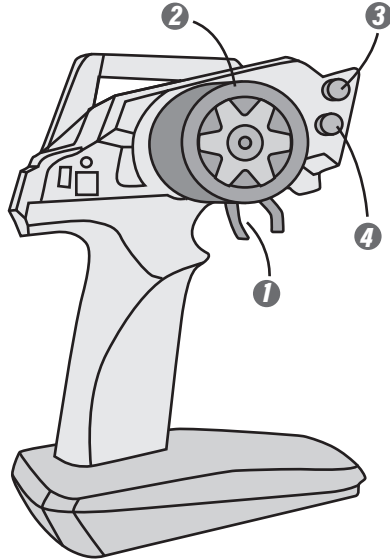


# RC Car Kit - Addendum

## 1 Using the Remote Control:

The remote control included in this kit will connect automatically when both the car and controller are turned on. There are 4 types of controls that the controller provides.

- 1 **Trigger** - The trigger controls the acceleration of the car. Pulling the trigger will move the car forward, pushing will move the car backwards
- 2 **Wheel** - The wheel controls the steering. You can figure this one out.
- 3 **Steering Trim** - This knob can adjust the trim on your steering. If the car is drifting left or right, this knob can correct that easily.
- 4 **Acceleration Trim** - This knob controls the power to the motor. Turn counter clockwise to reduce acceleration and top speed. Turn clockwise to increase top speed.



## 2 USB Charger:

The charger for this kit has been updated to a USB charger. This can be connected to any USB to wall outlet adapter, or directly to another USB device, like a laptop.

## 2 Battery Protection:

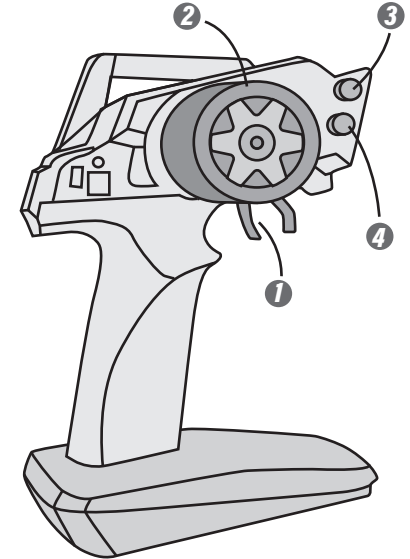
When you're not using the car make sure to disconnect the battery. Leaving the battery connected for an extended period of time can slowly drain the battery below its minimum voltage levels, causing permanent damage.

# RC Car Kit - Addendum

## 1 Using the Remote Control:

The remote control included in this kit will connect automatically when both the car and controller are turned on. There are 4 types of control that the controller provided.

- 1 **Trigger** - The trigger controls the accelerator of the car. Pulling the trigger will move the car forward, pushing will move the car backwards
- 2 **Wheel** - The wheel controls the steering. You can figure this one out.
- 3 **Steering Trim** - This knob can adjust the trim on your steering. If the car is drifting left or right, this knob can correct that easily.
- 4 **Acceleration Trim** - This knob controls the power to the motor. Turn counter clockwise to reduce acceleration and top speed. Turn clockwise to increase top speed.



## 2 USB Charger:

The charger for this kit has been updated to a USB charger. This can be connected to any USB to wall outlet adapter, or directly to another USB device, like a laptop.

## 2 Battery Protection:

When you're not using the car make sure to disconnect the battery. Leaving the battery connected for an extended period of time can slowly drain the battery below its minimum voltage levels, causing permanent damage.